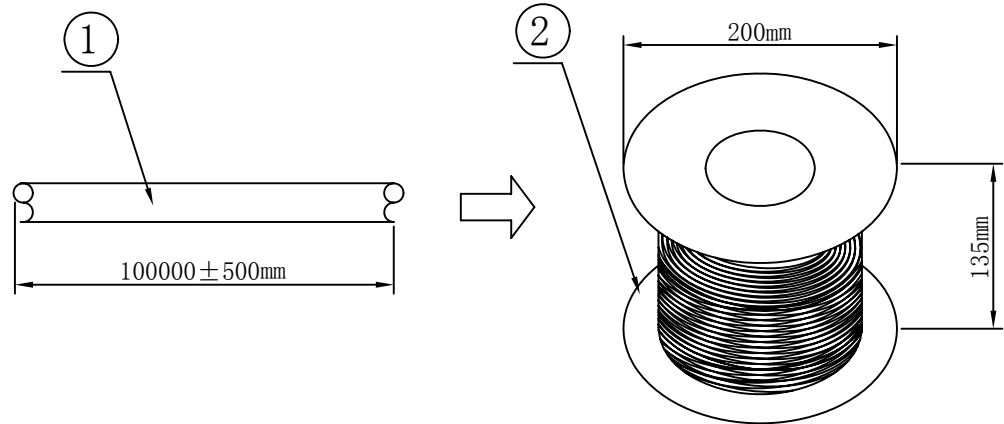
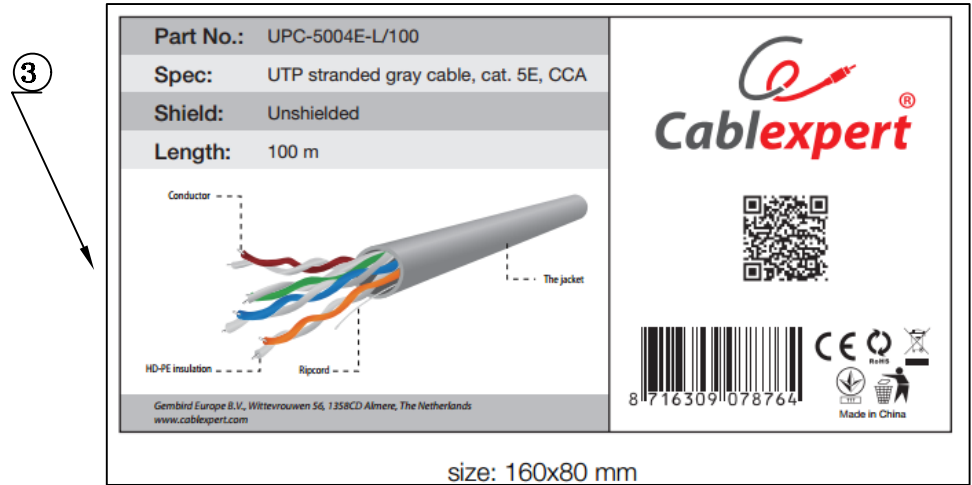


REVISION RECORD MODIFICATIONS	DATE	REV.
NEW	2016/06/12	A/0



NOTES:

1. PACKING: 100m/REEL
2. PRINT WORD: UTP unshielded twisted 4 pairs enhanced category 5E cable (stranded, CCA) Cablexpert UPC-5004E-L 001M, 002M.....100M



MATERIAL LIST:

					DRAW NO.			PRODUCT NAME	Cat. 5e UTP Cable 100M		
③	LABEL	SIZE: 160*80mm			CUSTOMER			MAPE	tolerance		
②	REEL	SIZE: 200*135mm			ITEM NO.	UPC-5004E-L/100			X.	±1.00	
①	CABLE	Cat. 5e UTP (7/0.16 CCA*4P) 10% copper OD:5.2±0.2mm JACKET:PVC/GREY			APPROVED BY	CHECK BY		DRAWN BY	UNTT	MM	
NO.	PARTS NAME	SPECIFICATION DESCRIPTION			QT' Y	REMARK		East LI	Page	1/1	