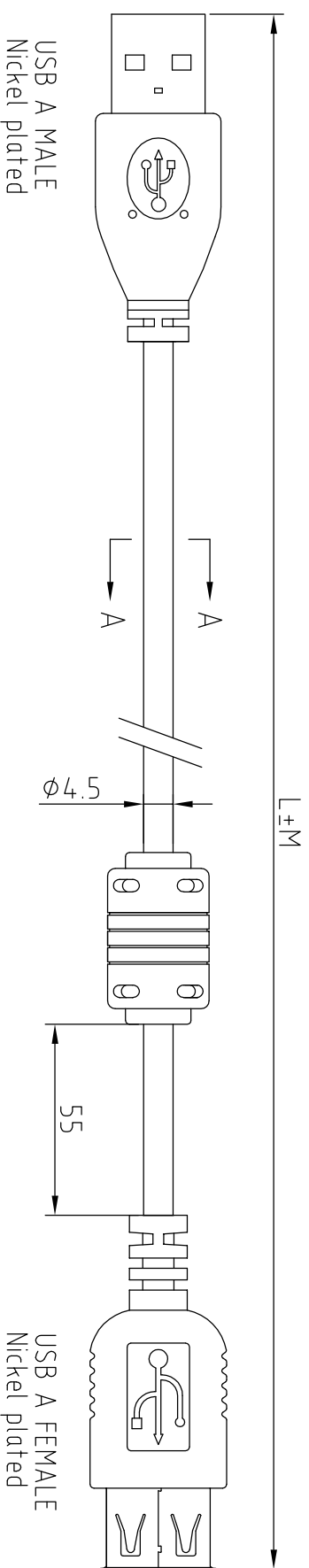


Scale	1:1
Unit	MM

UNLESS OTHERWISE SPECIFIED,  
ALL DIMENSIONS ARE IN METRIC.

PROJECTION PLAN

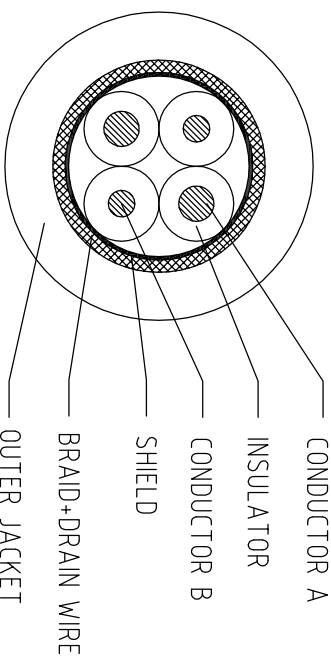


\*PRINTING WORDS:

USB 2.0 SHIELDED HIGH SPEED CABLE 28AWG/2C+24AWG/2C Cablexpert.com 8716309W

SCALE 10:1

A-A



Item Name	Description
CONDUCTOR A	7/0.2mm BCX1P
CONDUCTOR B	0.32mm BCX2C
INSULATOR	PE+PVC
SHIELD	AL/FOIL
BRAID+DRAIN WIRE	16x2/0.1 CCS
OUTER JACKET	OD 4.5mm COLOR BLACK

Model	Dimension	
	L (mm)	M (mm)
CCF-USB2-AMAF-6	1800	10
CCF-USB2-AMAF-10	3000	20
CCF-USB2-AMAF-15	4500	20

Revised Details

Item.	Description	Date	by	Drawn	Date	Model:
△						CCF-USB2-AMAF-6 CCF-USB2-AMAF-10 CCF-USB2-AMAF-15
				Check	Jun.06.2016	
				Approve		

Gembird Electronics Ltd.