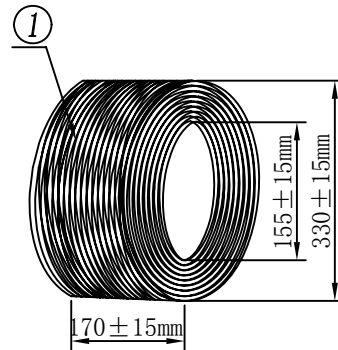
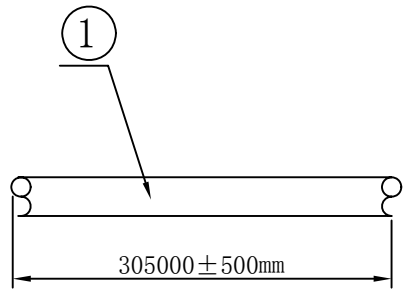
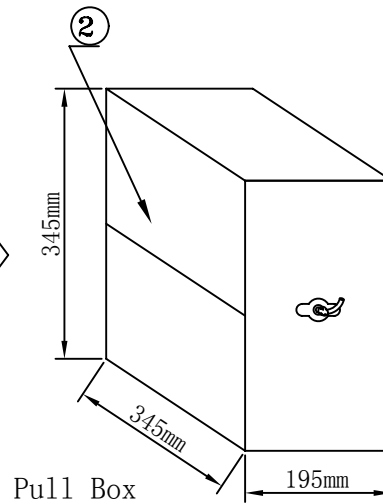


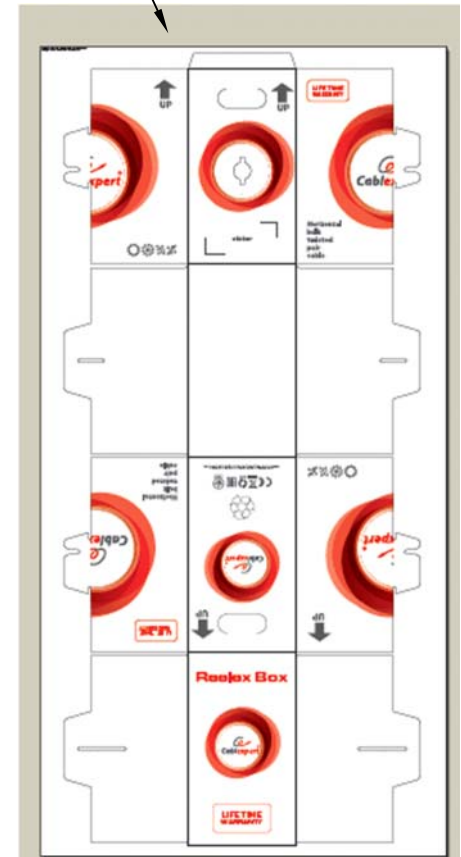
REVISION RECORD MODIFICATIONS	DATE	REV.
NEW	2016/06/12	A/0



305M

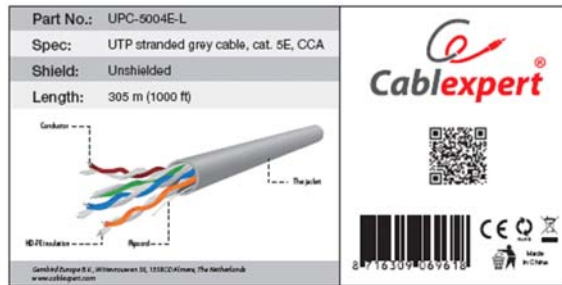


Pull Box



NOTES:

1. PACKING: ROLL/EASY-PULL BOX; NET WEIGHT:6KGS
- 2.PRINT WORD: UTP unshielded twisted 4 pairs enhanced category 5E cable (stranded,CCA) Cablexpert UPC-5004E-L P023331 001M, 002M..... 305M(P0 Number will be varied as per different PO number)



size: 160x80 mm

MATERIAL LIST:

		DRAW NO.		PRODUCT NAME		Cat. 5e UTP Cable 305M	
③	LABEL	SIZE: 160*80mm		CUSTOMER		MAPE	tolerance
②	PULL BOX	SIZE: 345*345*195mm		ITEM NO.	UPC-5004E-L		X. X ±1.00 X. X ±0.50
①	CABLE	Cat. 5e UTP (7/0.16CCA*4P) 10% copper OD:5.2±0.2mm JACKET:PVC/GREY		APPROVED BY	CHECK BY	DRAWN BY	UNTT MM
NO.	PARTS NAME	SPECIFICATION DESCRIPTION	QT' Y	REMARK		East LI	Page 1/1