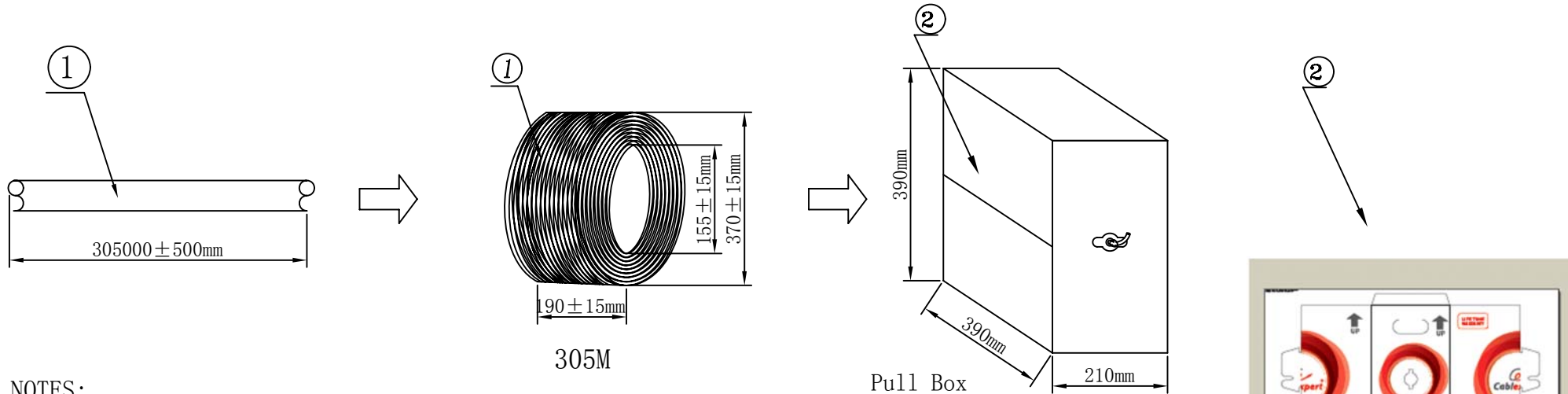
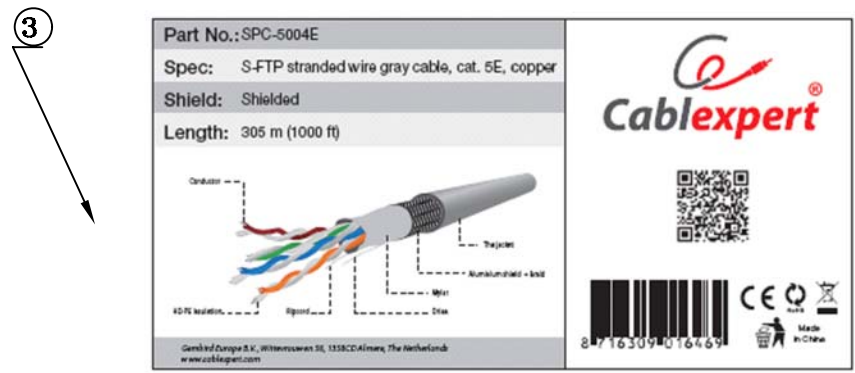


|                               |            |      |
|-------------------------------|------------|------|
| REVISION RECORD MODIFICATIONS | DATE       | REV. |
| NEW                           | 2016/06/12 | A/0  |



NOTES:

1. PACKING: ROLL/EASY-PULL BOX; NET WEIGHT:10KGS
- 2.PRINT WORD: SFTP double fully shielded twisted 4 pairs enhanced category 5E cable (stranded ) Cablexpert SPC-5004E P023331 001M, 002M.....305M(P0 Number will be varied as per different PO Number)



size: 160x80 mm

MATERIAL LIST:

|     |            |                                                                |       |        | DRAW NO.    | PRODUCT NAME | Cat. 5e SFTP Cable 305M |           |                          |
|-----|------------|----------------------------------------------------------------|-------|--------|-------------|--------------|-------------------------|-----------|--------------------------|
| ③   | LABEL      | SIZE: 160*80mm                                                 |       |        | CUSTOMER    |              | MAPE                    | tolerance |                          |
| ②   | PULL BOX   | SIZE: 390*390*210mm                                            |       |        | ITEM NO.    | SPC-5004E    |                         | X. X      | $\pm 1.00$<br>$\pm 0.50$ |
| ①   | CABLE      | Cat. 5e SFTP (7/0.18 BC*4P) OD:6.0 $\pm$ 0.2mm JACKET:PVC/GREY |       |        | APPROVED BY | CHECK BY     | DRAWN BY                | UNTT      | MM                       |
| NO. | PARTS NAME | SPECIFICATION DESCRIPTION                                      | QT' Y | REMARK |             |              | East LI                 | Page      | 1/1                      |